

Air-conditioner network controller and accessories

Online Controller

KKRP01A



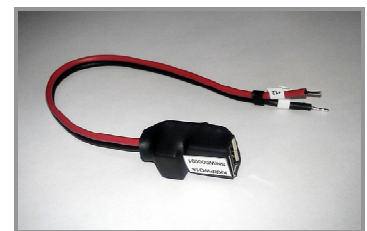
External Mounting Kit

KKRPM01A



Wifi Cable Pack

KKRPW01A

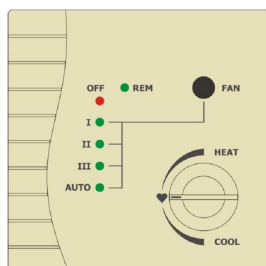


Easy

Touch LCD

Wall Controller

KBRC01A



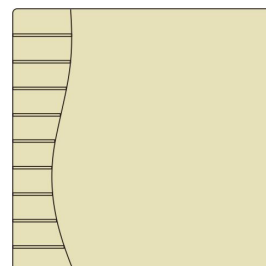
Wall Controller

KBRC01A



Temperature

Sensor



Weather

Station P03



DATABOOK

CONTENTS:

1. Online Controller KGRP01A

- 1.1. Features**
- 1.2. Specification**
- 1.3. Drawings**

2. External Mounting Kit KGRPM01A

- 2.1. Features**
- 2.2. Specification**
- 2.3. Drawings**

3. Wifi Cable Pack KGRPW01A

- 3.1. Features**
- 3.2. Specification**
- 3.3. Drawings**

4. Easy Wall Controller KBRC01A and Touch LCD Wall Controller KBRC01A

- 4.1. Features**
- 4.2. Specification**
- 4.3. Drawings and physical dimensions**

5. Temperature Sensor and Weather Station

- 5.1. Features**
- 5.2. Specification**
- 5.3. Drawings and physical dimensions**

1. Online Controller KKR01A

1.1. Features

Online Controller is an auxiliary module, especially designed for Daikin air-conditioning units, which enables to connect indoor split unit into IP network through Ethernet. User can easily monitor and control the air-conditioner



from remote place by using PC, PDA or SmartPhone. Online Controller is plugged into the port S21 on PCB of A/C indoor unit, therefore which is the critical condition of use ability. Online Controller is fully compatible with almost all air-conditioner functions which are allowed by original wireless remote controller.

In addition it supports the facilities such as:

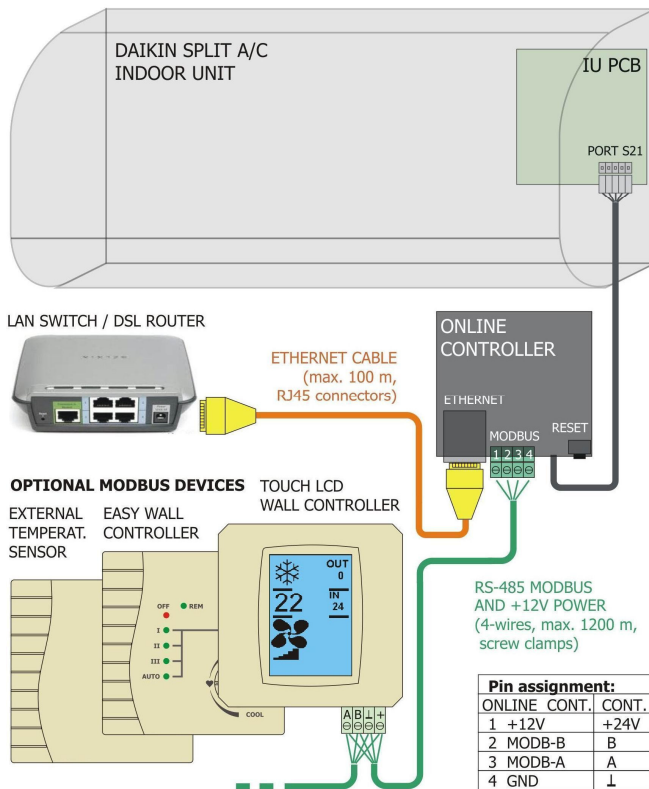
- Web-controller with JAVA (nice.htm)
- Web-controller without JAVA (index.htm)
- Onlinecontroller client with SMS and e-mail control, fault management and commands history
- Group mode function for central controlling up to 30 A/C units together at the same time
- Back-up function of the A/C system with one more redundant unit
- Three various levels of access
- SNMP agent (SNMP monitoring and fault management)
- MODBUS for connection of accessories – Easy Wall Controller, Touch LCD Wall Controller
- Thermometer for monitoring of room temperature
- Firmware update ability

1.2. Specification

Internet parameters	
HTTP with / without JAVA	web-controller nice.htm and index.htm
DHCP protocol	for automatic acquiring IP address from DHCP server
DNS protocol	for translating of hostnames into IP addresses
SNMP protocol	for integrate into SNMP manager
email alerts	8 event configurations is available
FTP and telnet protocol	remote firmware update ability

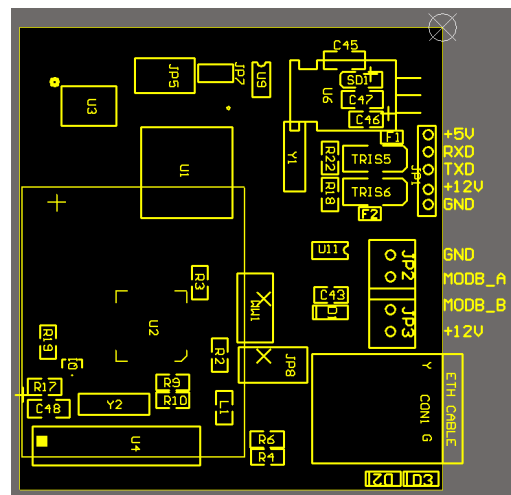
Communication interfaces	
Ethernet LAN 10/100 Mbit/s	for connection into LAN network
MODBUS	for connection of accessories
serial S21 cable 1,3 m	for connection with A/C indoor unit
Power supply	directly from IU - 5 V DC for Online Controller; 12 V DC for accessories
Power consumption	120 mA, 0,6 W
IP code	IP10 / IP44 – inside A/C unit
Others	
Mounting	close to A/C IU - External Mounting Kit, electric box
Weight	50 g
Dimensions (w × h × d, mm)	60 × 64 × 20 (without cable and connectors)
CE	LVD: 2006/95/EC; EMC: 2004/108/EC

1.3. Drawings



Description of inputs and outputs

PINOUT layout



2. External Mounting Kit KKRPM01A

2.1. Features

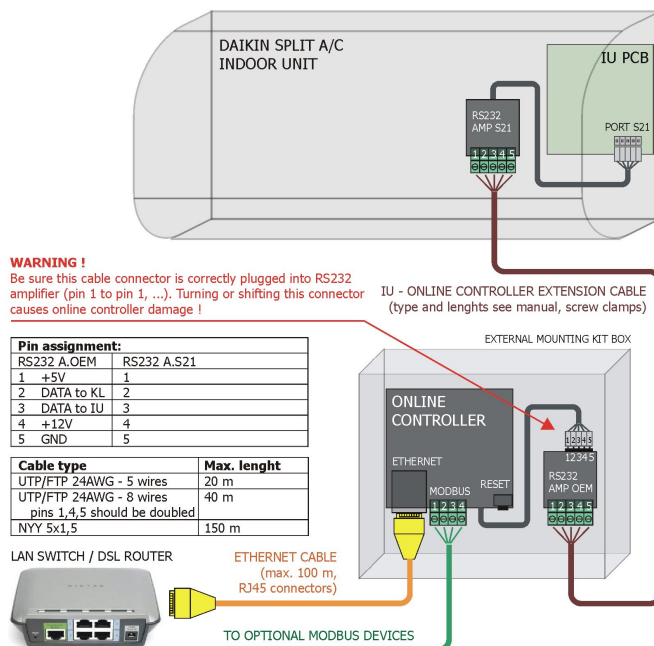
External Mounting Kit is designed for installing Online Controller outside of indoor unit or to extend the length of system S21 cable. It can be easily fitted on the wall or hidden inside the interceilings.



2.2. Specification

Communication interfaces	
converter RS232 to S21 serial link	2 amplifiers
maximum length of RS232 link cable	20 m UTP/FTP 24 AWG – 5 wires only
maximum length of RS232 link cable	40 m UTP/FTP 24 AWG – 8 wires full
maximum length of RS232 link cable	150 m NYY 5x1,5mm ²
Power supply	directly from IU - 5 V DC ; no external power is required
IP code	IP40 – plastic enclosure
Others	
Mounting	on the wall
Weight	50 g
Dimensions (w × h × d, mm)	105 × 105 × 55 (without cables)
CE	LVD: 2006/95/EC; EMC: 2004/108/EC

2.3. Drawings

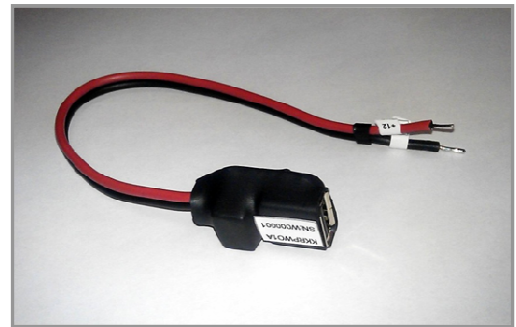


Description of inputs
and outputs
– with 2 amplifiers

3. Wifi Cable Pack KKRPW01A

3.1. Features

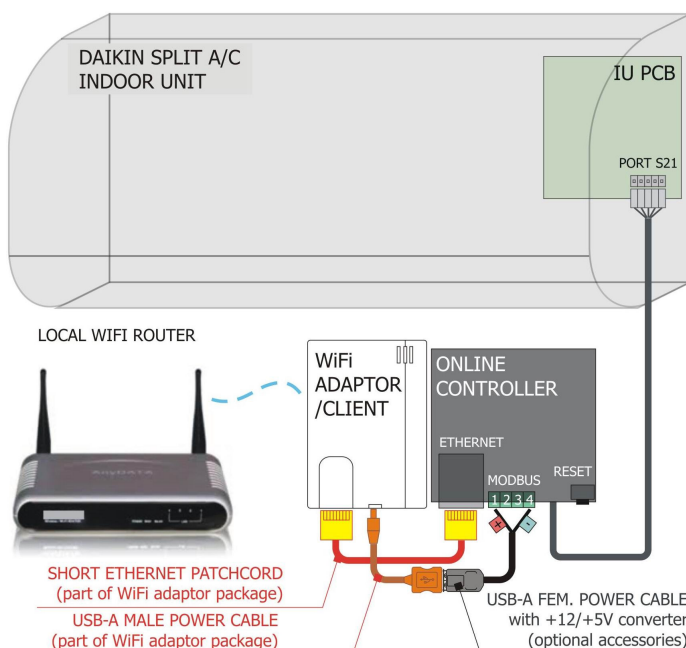
Wifi connection between A/C unit and LAN should be good alternative for case where no Ethernet cable is available. Wifi cable pack is necessary for power supplying the Wifi client (i.e. ASUS WL-330gE, ASUS WL-330N3G, Netgear WNCE 2001 ...) directly from Online Controller.



3.2. Specification

General parameters	
converter DC-DC 12 V to 5 V	12 V DC is available on MODBUS socket in Online Controller
Ethernet LAN 10/100 Mbit/s	for connection into LAN network
length of power cable	0,40 m
length of LAN patch cord	0,40 m
Others	
Weight	20 g
CE	LVD: 2006/95/EC; EMC: 2004/108/EC

3.3. Drawings

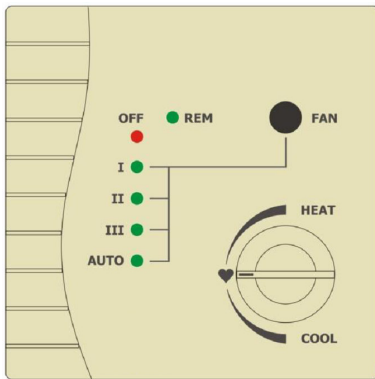


Description of inputs and outputs

4. Easy Wall Controller KBRC01A and Touch LCD Wall Controller KBRC01A

4.1. Features

Easy and Touch LCD Wall Controllers appertain to Online Controller accessories. They were designed for user-friendly operation with air-conditioner unit. Usually they are mounted on the wall; therefore they are useful even in the case of loss of original remote controller.



The Easy Wall Controller's features:

- Switch ON and OFF the air-conditioner
- Control of desire room temperature
- Control of air flow rate
- Adjustable Setpoint range

The Touch LCD Wall Controller's features:

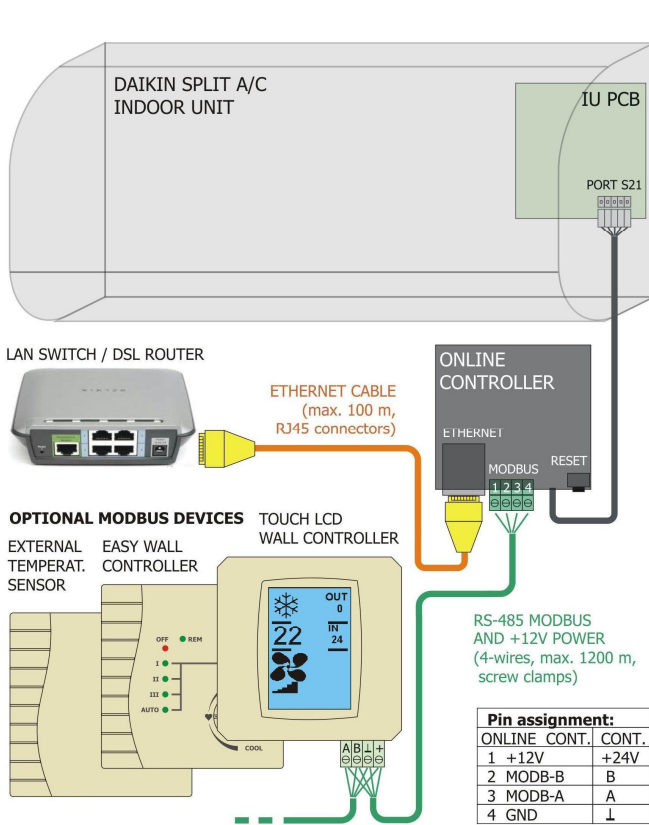
- Full control and monitor of A/C unit
- 3" B/W touch LCD screen
- blue backlight
- six colour of frame



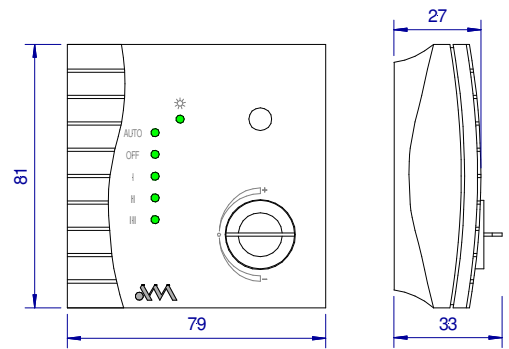
4.2. Specification

Communication interfaces	Easy Wall Controller	Touch LCD Wall Controller
MODBUS RTU	for connection of accessories	for connection of accessories
Communicate rate	38400 bps	38400 bps
Power supply	directly from IU via Online Controller; 12 V DC	directly from IU via Online Controller; 12 V DC
Power consumption	40 mA	80 mA
IP code	IP20	IP20
Others		
Operating temperature	-10 to 50 °C	-10 to 50 °C
Mounting	on the wall	on the wall
Weight	100 g	100 g
Dimensions (w × h × d, mm)	79 × 81 × 33	90 × 90 × 32
CE	1999/5/EC	1999/5/EC

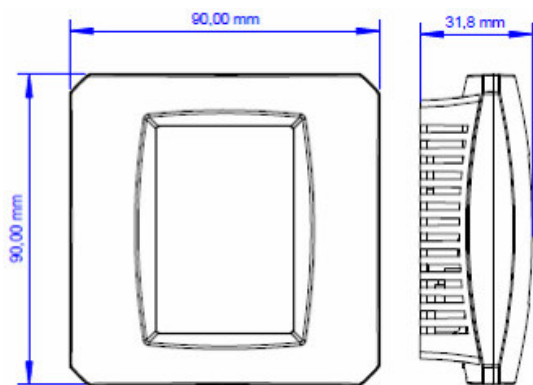
4.3. Drawings and physical dimensions



Description of inputs and outputs



Easy Wall Controller

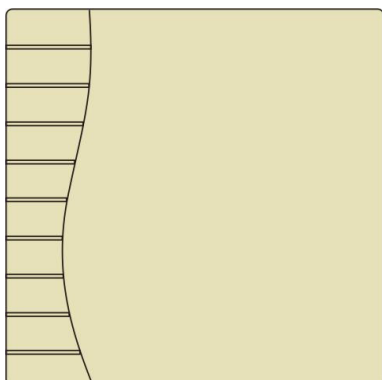


Touch LCD Wall Controller

5. Temperature Sensor and Weather Station

5.1. Features

Temperature Sensor and Weather Station appertain to Online Controller accessories. They were designed for measuring environment data – temperature, wind speed and information about current weather situation. Usually they are mounted on the wall.



The Temperature Sensor's features:

- Room temperature measuring
- Modbus communication protocol

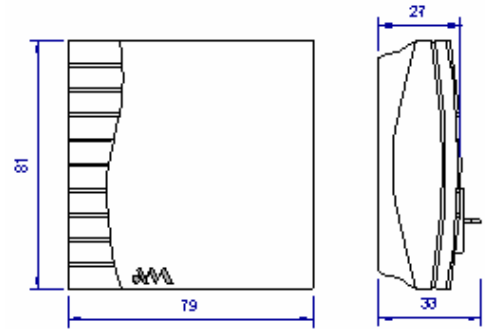
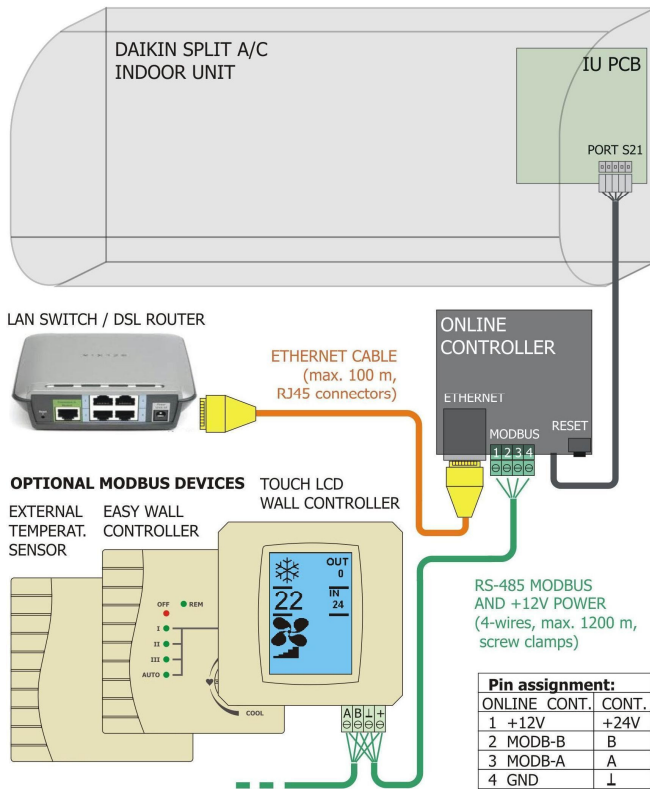
The Weather Station's features:

- Temperature sensor
- Brightness measurement with 3 sensors
- Wind speed sensor
- Heated precipitation sensor

5.2. Specification

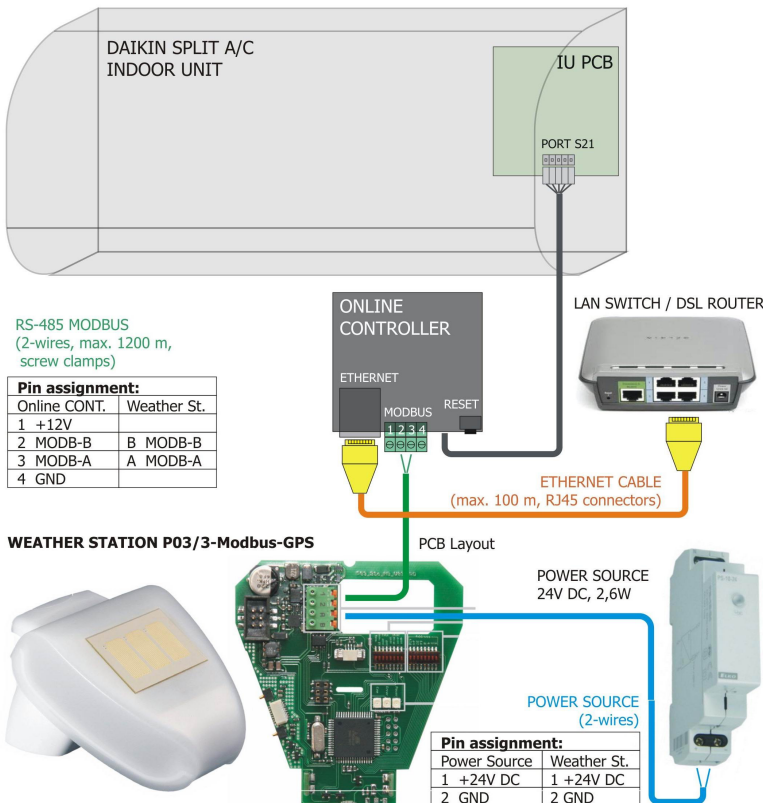
Communication interfaces	Temperature Sensor	Weather Station
MODBUS RTU	for connection of accessories	for connection of accessories
rate	38400 bps	38400 bps
Power supply	directly from IU via Online Controller; 12 V DC	external power source 24 V DC; max. 2,6W
Power consumption	40 mA	105 mA
IP code	IP20	IP44
Others		
Measurement range temperature	-10 to 50 °C	-40 to 80 °C
Measurement range wind		0 to 70 m/s
Measurement range brightness		0 to 99 000 lux
Mounting	on-wall	on-wall
Weight	100 g	160 g
Dimensions (w × h × d, mm)	79 × 81 × 33	96 × 77 × 118
CE	1999/5/EC	EN 60730-1:2000-11+A11:2002

5.3. Drawings and physical dimensions



Temperature Sensor

Description of inputs and outputs



Weather Station

- 1 socket for rain sensor
- 2 connection socket
 - 1: +24V DC
 - 2: GND
 - A: data
 - B: data
- 3 control LED
- 4 antenna set screw